



# LM300 Sputnik Series

## RECHARGEABLE MAGNETIC LED WARNING LIGHT

Federal Signal Vama presents the **LM300 Sputnik Series**, a high-intensity, low-consumption LED lights.

The LM300 Series has ten Sputnik LED diodes that distribute the light beam, provide 360° coverage and comply with the updated European Regulation R65 Category T.

The LM300 Series has models with two operating modes: by means rechargeable batteries or direct power supply with cigarette plug.

- Magnetic LED warning light, which has three magnets with anti-scratch silicone and three suction cups.
- Ten latest-generation 1-W LED diodes with blue, amber, red or green light and advanced optical design, high-intensity and low-consumption.
- Flash mode in compliance with European Regulation R65.
- Blue, amber, red or green-coloured lens manufactured in high-strength polycarbonate.
- (ON/OFF) switch and input for vehicle battery supply.
- Supply cable with cigarette-lighter connector.
- Metal plate for fixation inside the vehicle.
- Lamp failure sensor, optional accessory.
- Ideal unit for applications such as priority lights on undercover police, vehicles, armoured police or fire-fighting vehicles, and ambulances and service vehicles.
- 12 V power supply.



Luz de aviso Serie LM300 Sputnik azul

# LM300 sputnik Series

## Approvals

LM300 Sputnik Series in blue colour is approved according to the R-65 European Regulation.  
LM300 Sputnik Series comply with the European Directive 2004/104/CE on Electromagnetic Compatibility.

## LM300 Sputnik Series models

### LM300 Sputnik

Autonomous Sputnik LED warning light with two operating modes:

- Autonomous mode: The rechargeable batteries of the light provide two hours of operation with no need cables.
- Cigarette plug mode: Permits the light operation simultaneously charges its batteries.

### LM310 Sputnik

Autonomous Sputnik LED warning light with the same operating modes as LM300 Sputnik.

LM310 Sputnik integrates a scrollable 2-meter long flexible wiring with retention system in its housing. At the end of the cable an auxiliary safety hook is included for attaching inside the vehicle.

### LM330 Sputnik

Sputnik LED warning light with one operating mode:

- Cigarette plug mode: Direct power supply to the vehicle battery.

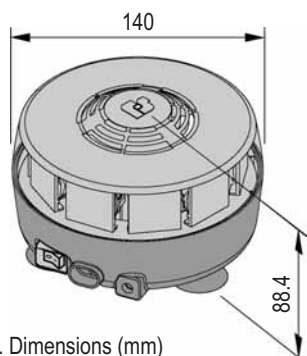
## Technical specifications

Voltage:	12V
Average consumed in:	
-Operation:	1.5 Amp to 12VDC
-Batteries charge:	1 Amp to 12VDC
-Batteries maintenance:	0.04 Amp to 12VDC
Rechargeable batteries autonomy:	2 hours
Charge batteries time:	3 hours
LM300 power supply:	Rechargeable batteries and cigarette plug
LM330 power supply:	Cigarette plug
LM300 / LM310 light weight (with batteries):	900 / 1075 gr
LM330 light weight (without batteries):	620 gr
LM300 dimensions:	140 mm (diameter) x 88.4 mm (height)

## How to order

1. Select the LM300 Sputnik Series reference numbers from next list:

- 2002351** (1) LM300 Sputnik, autonomous LED warning light with batteries, 10 Sputnik LEDs, High-intensity, low-consumption, blue light, magnetic mount and cigarette plug, 12V. UN R65 Approval T Categoric.
- 2002353** (1) LM300 Sputnik, autonomous LED warning light with batteries, 10 Sputnik LEDs, High-intensity, low-consumption, amber light, magnetic mount and cigarette plug, 12V.
- 2002386** (1) LM300 Sputnik, autonomous LED warning light with batteries, 10 Sputnik LEDs, High-intensity, low-consumption, red light, magnetic mount and cigarette plug, 12V.
- 2002387** (1) LM300 Sputnik, autonomous LED warning light with batteries, 10 Sputnik LEDs, High-intensity, low-consumption, green light, magnetic mount and cigarette plug, 12V.
- 2003015** (1) LM310 Sputnik, autonomous LED warning light with batteries, 10 Sputnik LEDs, High-intensity, low-consumption, blue light, scrollable flexible wiring with retention system In its housing, magnetic mount and cigarette plug, 12V. UN R65 Approval T Categoric.
- 2002352** (1) LM330 Sputnik, LED warning light, 10 Sputnik LEDs, High-intensity, low-consumption, blue light, magnetic mount and cigarette plug, 12V. UN R65 Approval T Categoric.
- 2006027** (1) LM300-SFL, lamp failure sensor, LM300 and LM330 accessory.



Serie LM300 Sputnik. Dimensions (mm)



Blue LM300 Sputnik



Amber LM300 Sputnik



Blue LM310 Sputnik



Cigarette plug cable



Fixation metal plate

**FEDERAL SIGNAL VAMA**  
Safety and Security Systems

An ISO9001:2000 Certified Company  
Dr. Ferrán, 7  
08339 VILASSAR DE DALT  
BARCELONA - SPAIN  
Tel 34 93 741 79 32  
Fax 34 93 750 78 23  
Email: marketing@vama.es

[www.fedsigvama.com](http://www.fedsigvama.com)