

LM400 / LP400 Series



LM400 / LP400 Series

New low profile LED beacons, which feature high luminosity, compact and aerodynamic design. The Solaris technology means born under the ultimate influence of sun nad is formed by a high-efficiency PC board with integrated microprocessor, 15 high-luminosity LED diodes of the latest generation, integrated on the PC board and a parabolic reflector that maximises the luminosity of the LEDs.

The **LM400 Solaris** model features a magnetic mounting kit with 2 magnets (with anti-scratch silicone) and 2 suction cups. It includes a cigarette lighter plug for easy power source connection.

This LED beacon is ideal for undercover police vehicles.

The **LP400 Solaris** is fitted out with a permanent mount and a rubber gasket improve for perfect adaptation to the roof.

The LP400 enables to connect two lights synchronized.



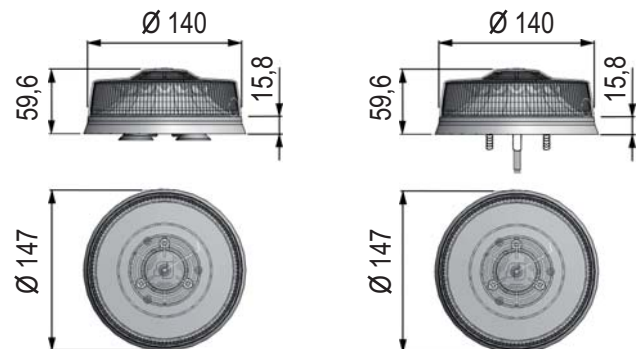
LM400

LP400

Technical specifications:	LM400	LP400
Electrical power:	12V	12V
Operating temperature:	-20°C to +50°C	-20°C to +50°C
Current draw (average) in flashing mode:	1,3 A	1,3 A
Light technology:	Solaris	Solaris
LED colours:	Blue	Blue
Dome colours:	Blue	Blue
Dimensions:	140 mm (diam.-dome)	140 mm (diam.-dome)
	147 mm (diam.-dome)	147 mm (diam.-dome)
	86 mm (height)	60 mm (height)
Weight:	616 g	395 g



LM400 and LP400 dimensions in mm.



REF.	MOD.	DESCRIPTION	EUR
Magnet mounting:			
2002389	LM400SL	LED beacon, (1) parabolic reflector with 15 LEDs, latest generation, high luminosity, blue LEDs, magnetic mounting and cigarette lighter plug, 12V, R-65 approved	225,00
Permanent mount:			
2002390	LP400SL	LED beacon, (1) parabolic reflector with 15 LEDs, latest generation, high luminosity, blue LEDs, permanent mount, 12V, R-65 approved	175,00

TNP001_gb 02/2009